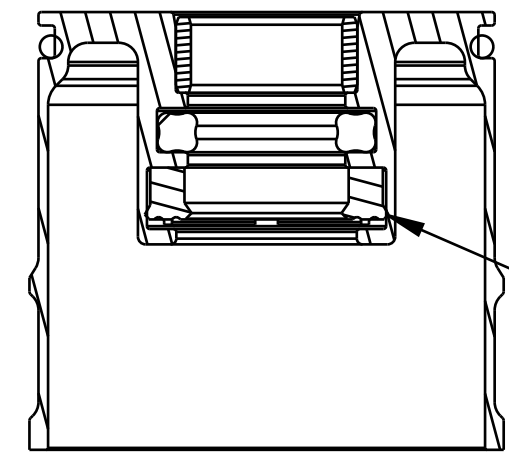
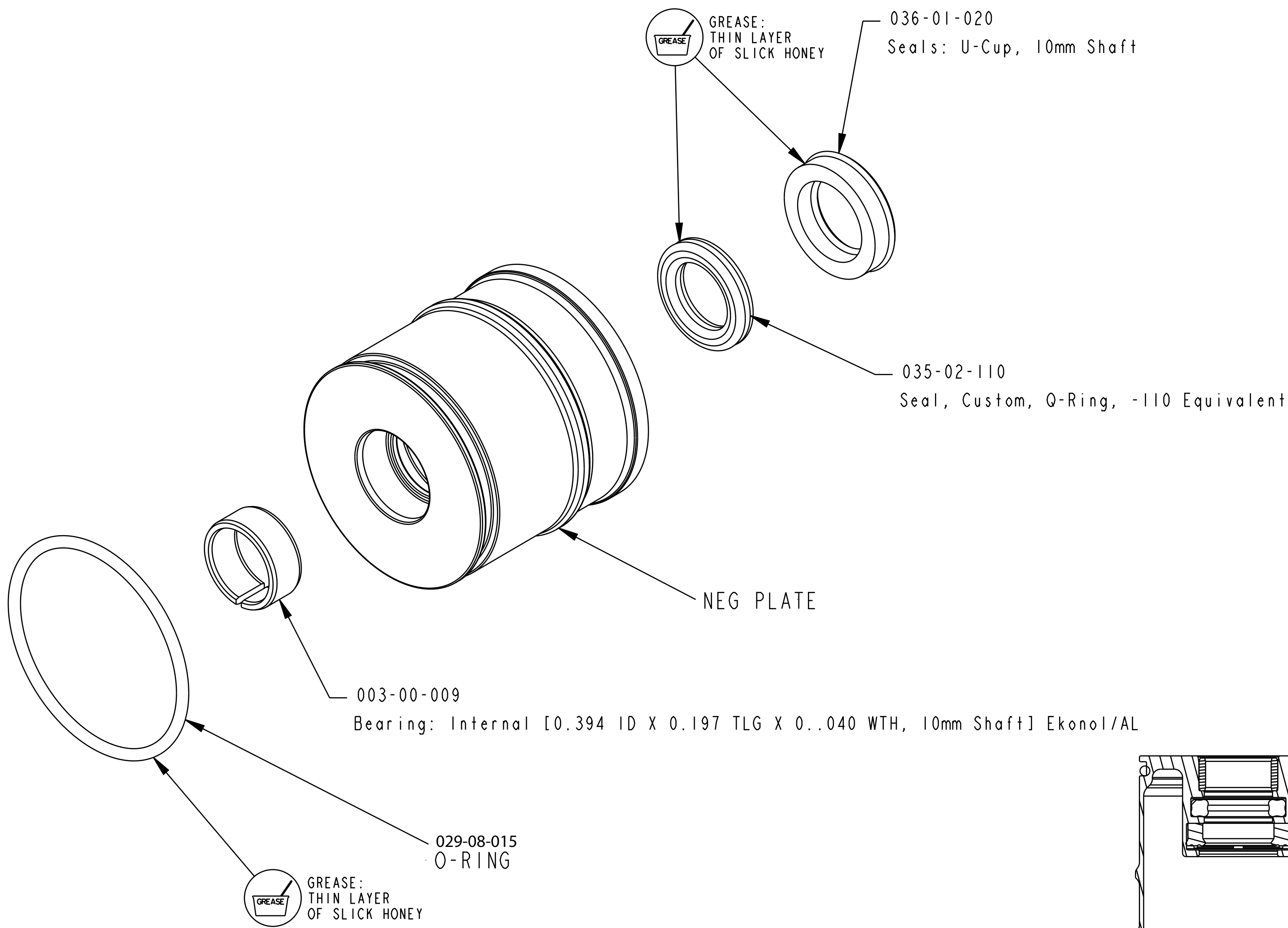


4

3

2

1



IMPORTANT:  
NOTE ORIENTATION  
OF U-CUP SEAL

SECTION A-A

<b>FOX</b>		<b>FOX Factory, Inc.</b>	Ph 831-768-1100
		130 Hangar Way, Watsonville, CA 95076 USA	Fax 831-768-9312
TITLE			
<b>Neg Plate, FLOAT NA 2</b>			
SIZE DWG. NO.			
<b>C</b>			
PLOT SCALE 2.00:1		SHEET 1 OF 1	

- PROPRIETARY -  
THIS DOCUMENT CONTAINS CONFIDENTIAL, PROPRIETARY INFORMATION  
THAT IS FOX PROPERTY. DO NOT DISCLOSE TO OR DUPLICATE  
FOR OTHERS EXCEPT AS AUTHORIZED BY FOX.

4

3

2

1